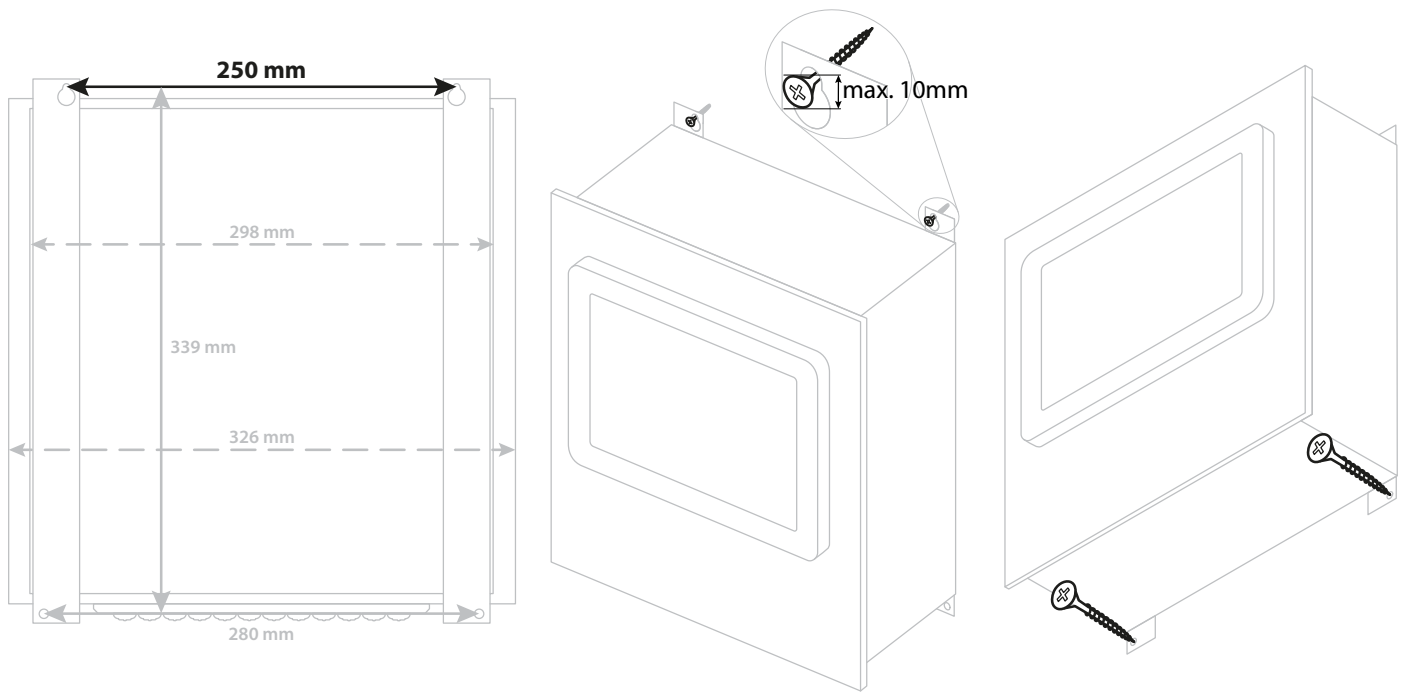


Fidelix FX-SPIDER-40/10 Mounting Instructions



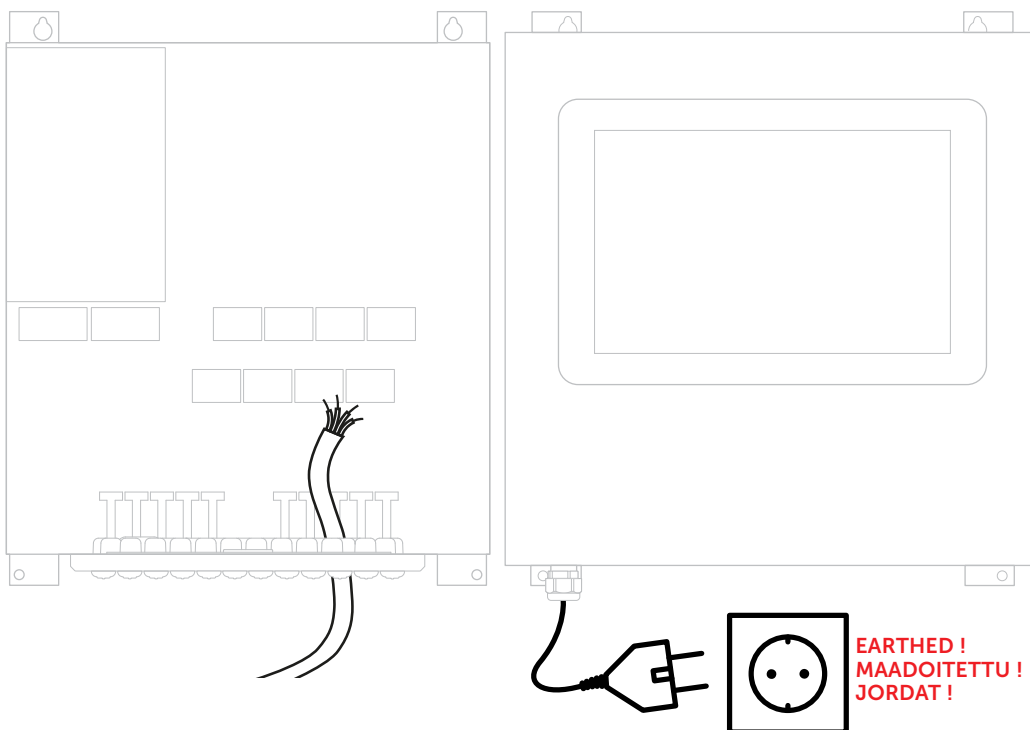
① Measure the locations for the top two installation holes in the wall: 250mm apart.

Screw the screws into the holes, leaving at least 2mm space between the back of the head of the screw and the wall. Use screws with heads with a diameter of maximum 10mm.

② Hang the FX-SPIDER-40/10 controller onto the wall on those two screws, using the upper mounting brackets.

③ Secure the FX-SPIDER-40/10 controller to the wall with screws in the two bottom mounting brackets.

This way the FX-SPIDER-40/10 cannot be removed without tools, or accidentally lifted off the wall.



IMPORTANT!
The power supply cable also serves as the disconnect device for the controller. This means the power supply cable must be connected to an easily accessible and **EARTHED mains socket-outlet!**

TÄRKEÄÄ!
Verkkovirtajohto toimii keskuksen verkkosyötön erotuslaitteena, se tulee kytkeä laitteen lähellä ja helposti käyttäjän ulottuvilla olevaan **MAADOITETTUUN pistorasiaan!**

VIKTIGT!
Strömkabeln fungerar även som huvudbrytare för enheten. Det innebär att strömkabeln måste vara lättåtkomlig och ansluten till ett **JORDAT uttag!**

④ Push cables and wires from and to field devices through the rubber gland plate on the bottom of the controller.

Inside the metal casing, strip the cables and connect the wires to the I/O-connectors of the FX-Spider-40/10 controller.

Cables can be anchored to the T-shaped metal fastening points with cable ties to relief strain from the end of the cables.

⑤ Connect the lead power cable to a grounded socket.

For more information, consult the FX-SPIDER-40/10 datasheet:

